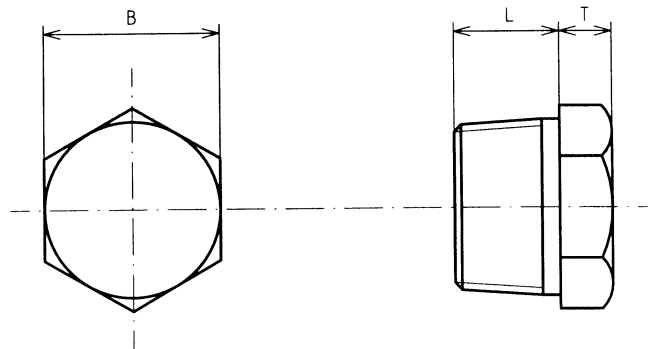


Table 17 - Hexagon head plug



Nominal size	Minimum length of thread for basic gauge length plus die clearance	Size of hexagon	Minimum height of hexagon
DN	<i>L</i> mm	<i>B</i> mm	<i>T</i> mm
6 8 10	9,5 12,5 12,5	12 14 17	6 6 8
15 20 25	17,5 19,0 21,0	22 27 36	8 10 10
32 40 50	24,0 24,0 27,0	46 50 65	11 13 14
65 80 100	32,0 35,0 40,0	78 90 115	16 19 22