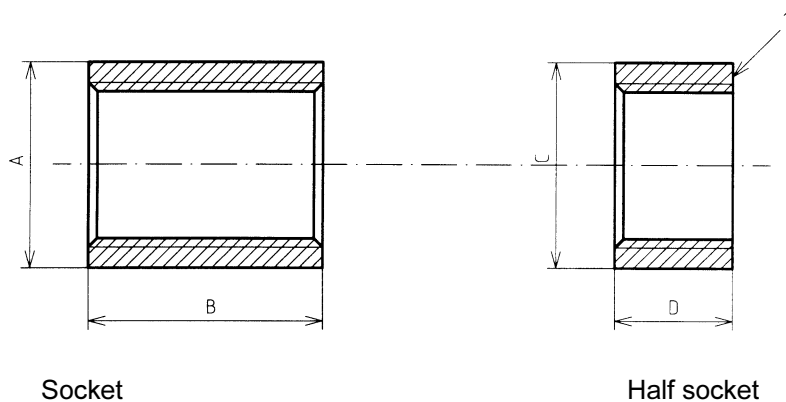


Table 12 - Socket and half socket, equal, type medium



1 Faced at right angle to axis of thread. No internal chamfer.

Nominal size	Minimum outside diameter of socket	Overall length of socket	Minimum outside diameter of half socket	Overall length of half socket
DN	A	B	C	D
	mm	mm	mm	mm
6	15,0	17	15,0	8
8	18,5	25	18,5	11
10	21,3	26	21,3	12
15	26,6	34	26,6	15
20	31,8	36	31,8	17
25	39,5	43	39,5	20
32	48,3	48	48,3	22
40	54,5	48	54,5	22
50	66,2	56	68,0	26
65	82,0	65	84,2	30
80	95,0	71	98,4	34
100	121,4	83	124,0	40
125	146,3	92	149,0	44
150	173,3	92	177,0	44